

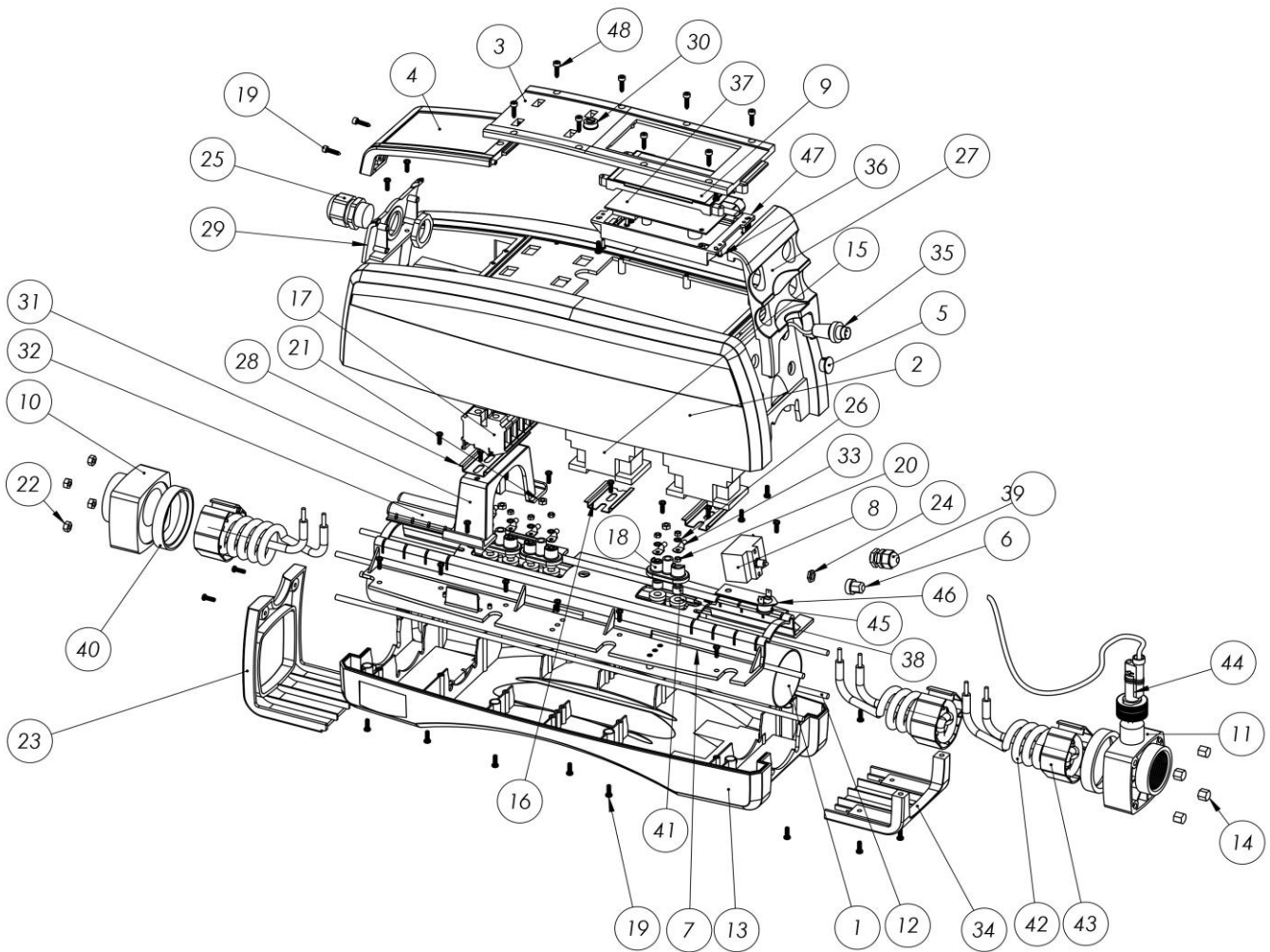
Optima Compact

SPARE PART LISTS

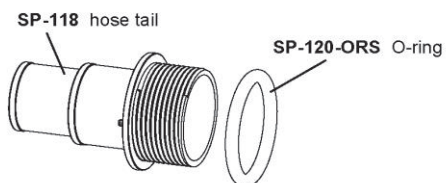
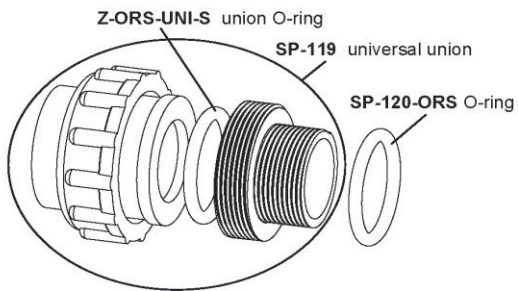


ELECRÖ
ENGINEERING

Optima Compact Touchscreen



Water connections



Item No.:	Description:	Power Output:	Pcs/Unit:	Electro Part Number:	GBP RRP (£)	EUR RRP (€)
1	Flow tube	All	1	See Tab.2	-	-
2	Electrical Enclosure (Top Cover)	All	1	Z-IM-OC-TC	75.00	84.00
3	Touch Screen Control Panel	All	1	Z-IM-OC-CP-DIG	10.00	11.20
4	Electrical Access Cover	All	1	Z-IM-OC-AC	9.00	10.08
5	PG9 Blanking Cap	All	2	Z-CON-PG9DBC	7.25	8.12
6	Safety Thermal Cut Out Cover	All	1	Z-MIS-HLS-CVR	7.25	8.12
7	Chassis Plate	All	1	Z-IM-OC-CP (Supplied With SP-MIS-HLS)	22.00	24.64
8	High Limit Safety Thermal Cut Out	All	1	SP-MIS-HLS (complete)	46.50	52.08
9	Touch Screen	All	1	Z-MIS-BMS-TS	67.50	75.60
10	Left End Fitting (NON F/S)	All	1	SP-117	24.50	27.44
11	Right End Fitting (F/S)	All	1	SP-117B	24.50	27.44
12	M6 Tie Bar	All	4	Z-STU-573	10.00	11.20
13	Base	All	1	Z-IM-OC-B	47.00	52.64
14	M6 Cap Nut	All	4	Z-FIX-M6CAP	5.25	5.88
15	Siemens Contactor	2 to 18kW Single Phase 6 to 18-kW 3-phase	2	Z-SIE-2023-40A	67.75	75.88
		24kW 3-phase	2	Z-SIE-2027-50A	134.00	150.08
16	55mm Din Rail	All	2	X-DIN-55	7.25	8.12
17	Terminal Block	2 to 18kW Single Phase	3	Z-MIS-TB130A	17.25	19.32
		6 to 18kW 220V 3-phase	4			
		6 to 24 kW 400V 3-phase	5			
		6 to 12kW Versatile	6			
18	Element Bridge	2 to 6kW Single Phase	1	Z-IM-EL-BRI	5.00	5.60
		9 to 12 kW Single Phase	2			
		6 to 24 kW 400V 3-phase 15 and 18 kW Single Phase	3			
19	M4x12 Enclosure Screws	All	30	Z-FIX-M4x12	1.50	1.68
20	M4 Hex Nut	2 to 6kW Single Phase	2	Z-FIX-M4HEX	4.00	4.48
		9 to 12 kW Single Phase	4			
		6 to 24 kW 400V 3-phase 15 and 18 kW Single Phase	6			
21	M5 Hex Nut	2 to 6kW Single Phase	1	Z-FIX-M5HEX	5.25	5.88
		9 to 12 kW Single Phase	2			
		6 to 24 kW 400V 3-phase 15 and 18 kW Single Phase	3			
22	M6 Hex Nut	All	4	Z-FIX-M6HEX	5.25	5.88
23	Lower Left Cover Panel	All	1	Z-IM-OC-DC-L	12.00	13.44
24	M8 Hex Nut	All	1	Z-FIX-M8HEX (Supplied With SP-MIS-HLS)	46.50	52.08
25	PG21 Cable Entry Gland	All	1	Z-CON-PG21BK + Z-CON-PG21NUT	17.25	19.32
26	M4 Locking Washer	2 to 6kW Single Phase	2	Z-FIX-M4LW	1.50	1.68
		9 to 12 kW Single Phase	4			
		6 to 24 kW 400V 3-phase 15 and 18 kW Single Phase	6			
27	Right Upper Cover Panel	All	1	Z-IM-OC-DC-RT-D	10.00	11.20
28	115mm Din Rail	All	1	X-DIN-115	12.50	14.00
29	Cable Entry Gland Panel	All	1	Z-IM-OC-CGH	10.00	11.20
30	Fuse Holder (Complete)	All	1	Z-MIS-FH	11.00	12.32
31	Terminal Block Bridge	All	1	Z-IM-OC-TBB	12.50	14.00
32	Capillary Bulb Holder	All	1	Z-IM-OC-BH	7.00	7.84
33	Copper Tube Terminal	All		Various	-	-
34	Lower Right Cover Panel	All	1	Z-IM-OC-DC-RB	12.00	13.44
35	2 Way Connector Cable	All	1	Z-CAB-ILPM	18.75	21.00
36	M3x12 Flange Screw	All	4	Z-FIX-M3x12-FLG	1.50	1.68
37	PCB Digital Thermostat Board	All	1	Z-MIS-BMS-PCB	132.25	148.12
38	Element Ferrule	2 to 6kW Single Phase	2	Z-IM-EL-FER	7.50	8.40
		9 to 12 kW Single Phase	4			
		6 to 24 kW 400V 3-phase 15 and 18 kW Single Phase	6			
39	PG9 Entry Gland	All	2	Z-CON-PG9	7.50	8.40
40	End Fitting Gasket	All	2	SP-117-GSK	3.50	3.92
41	Element Stepped Washer	2 to 6kW Single Phase	2	Z-IM-EL-SW	2.00	2.24
		9 to 12 kW Single Phase	4			
		6 to 24 kW 400V 3-phase 15 and 18 kW Single Phase	6			
42	Heating Element	All	1, 2, 3	See Tab.3	-	-
43	Element Support	2 to 6kW Single Phase	1	Z-IM-EL-SUP	5.00	5.60
		9 to 12 kW Single Phase	2			
		6 to 24 kW 400V 3-phase 15 and 18 kW Single Phase	3			
44	Flow Switch	2 & 3kW	1	SP-107-OC-A	38.75	43.40
		4 & 6kW		SP-107-OC-B	38.75	43.40
		9kW & Greater		SP-107-OC-C	38.75	43.40
45	High Limit Auto Reset 60C	All	1	Z-MIS-BS-60-40	14.25	15.96
46	High Limit Holder	All	1	Z-SMW-BSH	9.25	10.36
47	Digital Controller Mounting Bracket	All	1	Z-IM-OC-DIG-MB	10.00	11.20
48	M4x16 Socket Cap	All	8	Z-FIX-M4x16-SC-ST	1.50	1.68
1.5" BSP Hose Tail for 1.5"/1.25" Flexible Pipe		All	2	SP-118	10.50	11.76
1.5" BSP Universal Union for 1.5"/50-mm Pipe		All	2	SP-119	16.00	17.92
O-Rings (2 pcs in bag)		All	1	SP-120-ORS	2.00	2.24
44mm x 6mm Union O-Ring EPDM Shore 70		All	2	Z-ORS-UNI-S	3.75	4.20

1. Replacement Tank Assemblies.

Single Phase Power Output:	Titanium Flow tube with Titanium Heating Element Part Code:	GBP RRP (£)	EUR RRP (€)	Description:
2-kW	SP-TA-OCP-1-2	295.00	330.4	2-kW 500-mm Replacement Tank Assembly
3-kW	SP-TA-OCP-1-3	296.50	332.08	3-kW 500-mm Replacement Tank Assembly
4.5-kW	SP-TA-OCP-1-4	307.50	344.4	4.5-kW 500-mm Replacement Tank Assembly
6-kW	SP-TA-OCP-1-6	315.25	353.08	6-kW 500-mm Replacement Tank Assembly
9-kW	SP-TA-OCP-1-9	343.00	384.16	9-kW 500-mm Replacement Tank Assembly
12-kW	SP-TA-OCP-1-12	353.00	395.36	12-kW 500-mm Replacement Tank Assembly
15-kW	SP-TA-OCP-1-15	407.75	456.68	15-kW 500-mm Replacement Tank Assembly
18-kW	SP-TA-OCP-1-18	412.25	461.72	18-kW 500-mm Replacement Tank Assembly
3-Phase Power Output:	Titanium Flow tube with Titanium Heating Element Part Code:	GBP RRP (£)	EUR RRP (€)	Description:
6-kW	SP-TA-OCP-3-6	393.75	441.00	6-kW 500-mm Replacement Tank Assembly
9-kW	SP-TA-OCP-3-9	398.25	446.04	9-kW 500-mm Replacement Tank Assembly
12-kW	SP-TA-OCP-3-12	403.00	451.36	12-kW 500-mm Replacement Tank Assembly
15-kW	SP-TA-OCP-3-15	407.75	456.68	15-kW 500-mm Replacement Tank Assembly
18-kW	SP-TA-OCP-3-18	412.25	461.72	18-kW 500-mm Replacement Tank Assembly
24-kW	SP-TA-OCP-3-24	483.50	541.52	24-kW 500-mm Replacement Tank Assembly

2. Replacement Flow Tubes

Description:	Power Output:	Pcs/Unit:	Titanium Part Code:	GBP RRP (£)	EUR RRP (€)
Flow tube	up to 6-kW Single Phase	1	X-TUB-TI500-1E-OC	150.25	168.28
	9-kW & 12-kW Single Phase		X-TUB-TI500-2E-OC	150.25	168.28
	15, 18-kW Single Phase & All 3-Phase		X-TUB-TI500-3E-C	150.25	168.28

3. Replacement Heating Elements

Single Phase Power Output:	Titanium Heating Element Part Code:	GBP RRP (£)	EUR RRP (€)	Pcs/Unit:	Description:
2-kW	SP-EL-Ti2KW7T	112.25	125.72	1	2-kW Replacement Heating Element Kit
3-kW	SP-EL-Ti2.9KW7T	119.00	133.28	1	2.9-kW Replacement Heating Element Kit
4.5-kW	SP-EL-Ti4.5KW7T	124.75	139.72	1	4.5-kW Replacement Heating Element Kit
6-kW	SP-EL-Ti6KW7T	134.25	150.36	1	6-kW Replacement Heating Element Kit
9-kW	SP-EL-Ti4.5KW7T	124.75	139.72	2	4.5-kW Replacement Heating Element Kit
12-kW	SP-EL-Ti6KW7T	134.25	150.36	2	6-kW Replacement Heating Element Kit
15-kW	SP-EL-Ti5KW7T	129.50	145.04	3	5-kW Replacement Heating Element Kit
18-kW	SP-EL-Ti6KW7T	134.25	150.36	3	6-kW Replacement Heating Element Kit
3-Phase Power Output:	Titanium Heating Element Part Code:	GBP RRP (£)	EUR RRP (€)	Pcs/Unit:	Description:
6-kW	SP-EL-Ti2KW7T	112.25	125.72	3	2-kW Replacement Heating Element Kit
9-kW	SP-EL-Ti2.9KW7T	119.00	133.28	3	2.9-kW Replacement Heating Element Kit
12-kW	SP-EL-Ti4KW7T	122.45	137.144	3	4-kW Replacement Heating Element Kit
15-kW	SP-EL-Ti5KW7T	129.50	145.04	3	5-kW Replacement Heating Element Kit
18-kW	SP-EL-Ti6KW7T	134.25	150.36	3	6-kW Replacement Heating Element Kit
24-kW	SP-EL-Ti8KW7T	144.50	161.84	3	6-kW Replacement Heating Element Kit

Improving pools *globally*

11 Gunnels Wood Park, Gunnels Wood Road,
Stevenage, Hertfordshire, SG1 2BH, UK

Tel: +44 1438 749 474

Email: sales@elecra.co.uk

Web: www.elecra.co.uk

We reserve the right to change all or part of the features of the articles
or contents of this document, without prior notice.

SPL136-EN-Optima Compact Spare Parts List V1-01.01.2020-Elecra