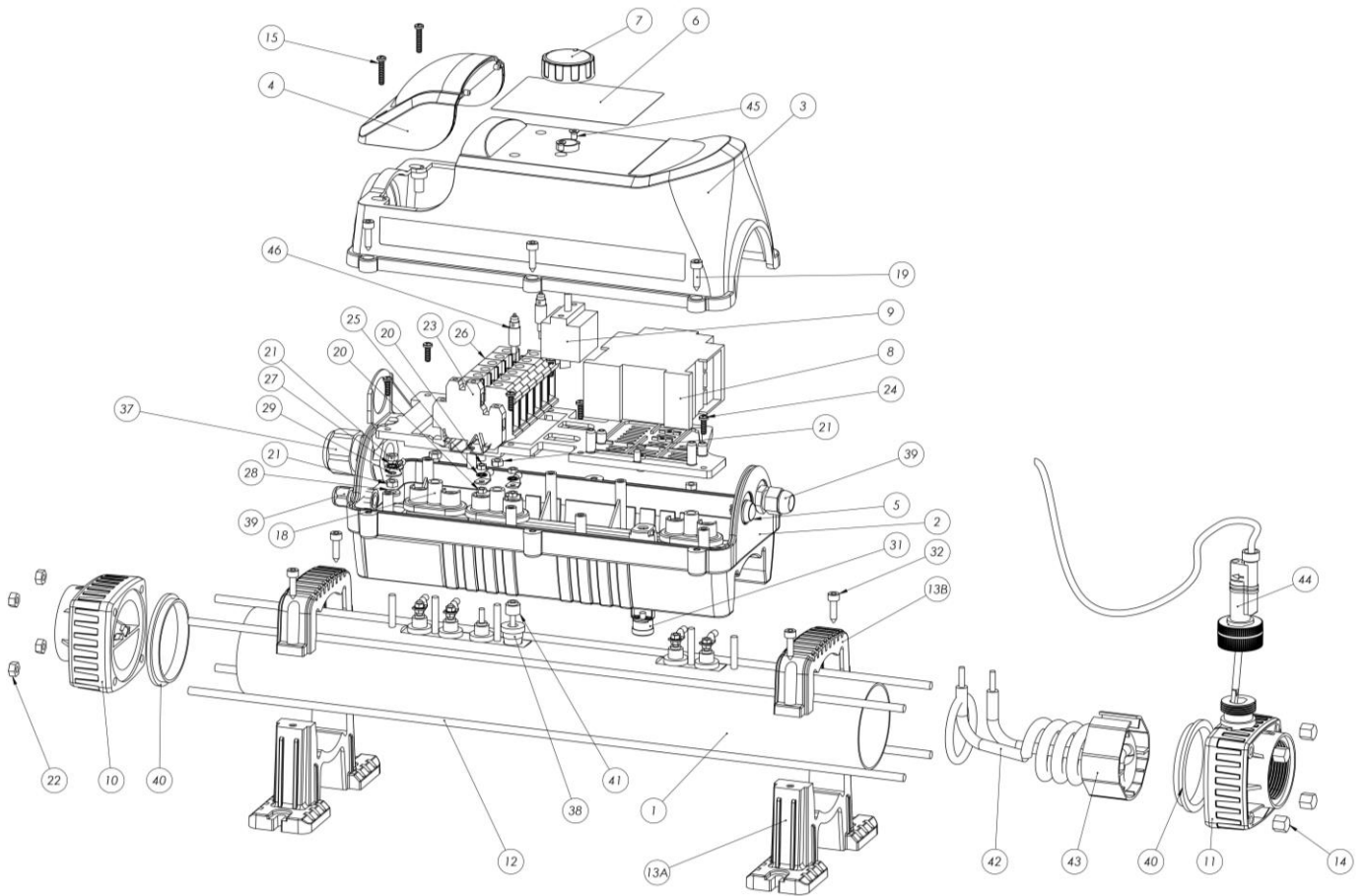


Evolution 2

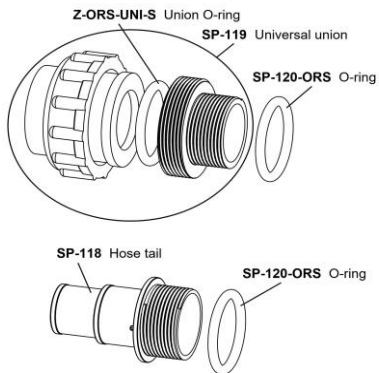
SPARE PART LISTS



Evo 2 Analogue

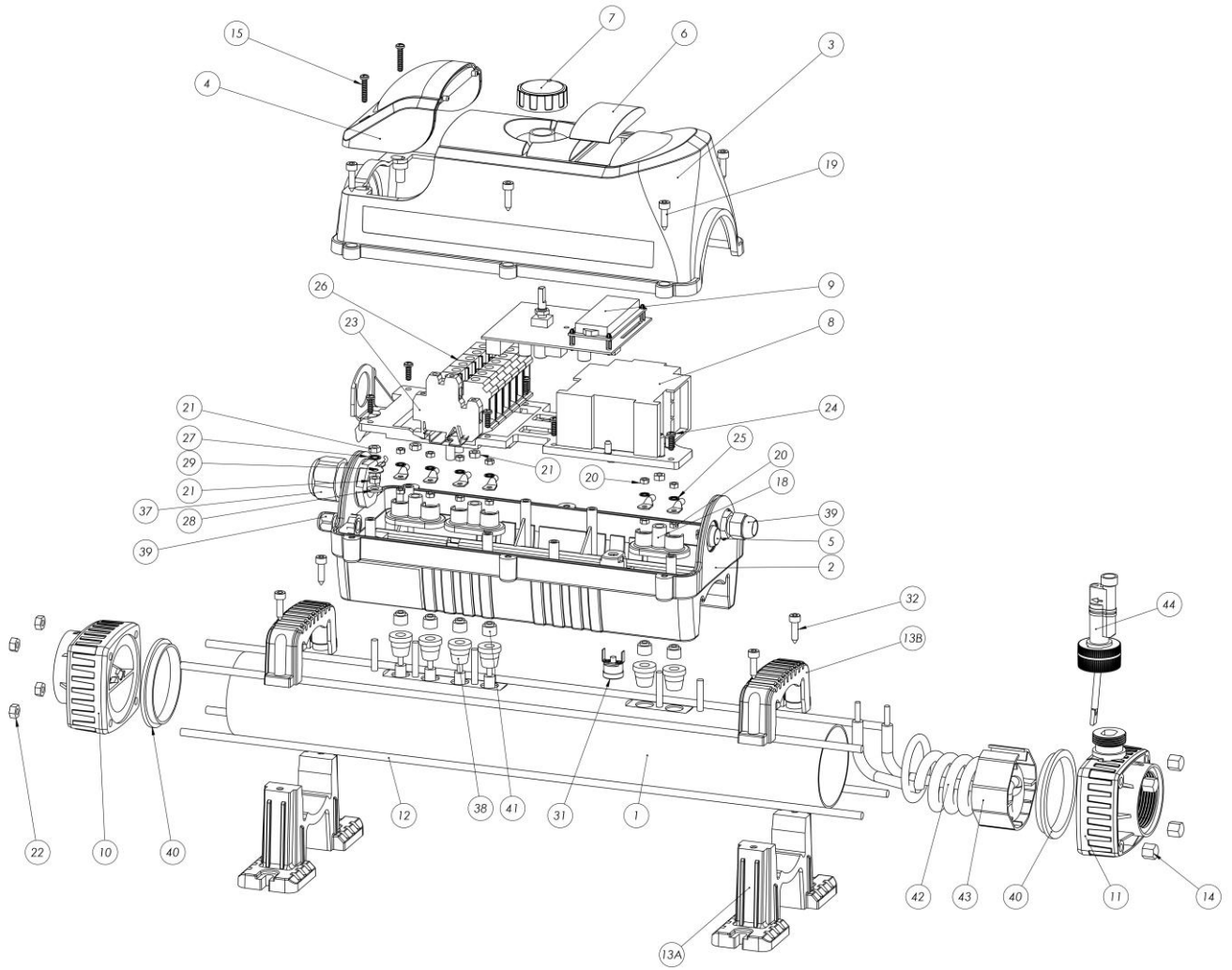


Water connections:

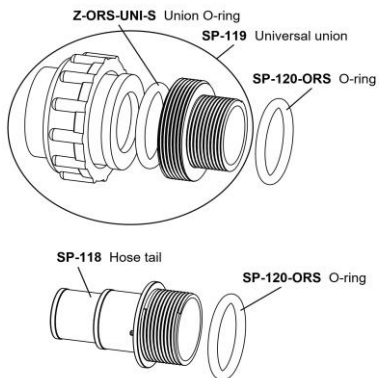


Item No.:	Description:	Power Output:	Pcs/Unit:	Part Code:	GBP RRP (£)	EUR RRP (€)
1	Flow tube	All	1	See Table 2	-	-
2	Electrical Enclosure Base	All	1	Z-IM-E2-BC	20.00	22.40
3	Analogue Front Cover	All	1	Z-IM-E2-ANA-TC	27.50	30.80
4	Electrical Access Cover	All	1	Z-IM-E2-AC	7.50	8.40
5	Test Button	All	1	Z-MIS-PBS	9.50	10.64
6	Ops Panel Overlay	All	1	Z-LAB-EVO2	9.25	10.36
7	Control Thermostat Dial	All	1	Z-IM-OC-ANA	7.50	8.40
8	Contactor	up to 18-kW 3-Phase 400V up to 9-kW 3-Phase 230V	1	Z-SIE-2023-40A	67.75	75.88
		24-kW 3-Phase 400V 12, 15 & 18-kW 3-Phase 230V	1	Z-SIE-2027-50A	134.00	150.08
9	Analogue Control Thermostat	All	1	SP-MIS-CS	41.75	46.76
10	Left End Fitting (NON F/S)	All	1	Z-IM-E2-EF-L	24.50	27.44
11	Right End Fitting (F/S)	All	1	Z-IM-E2-EF-R	24.50	27.44
12	M6 Tie Bar	up to 12-kW Single Phase 230V	4	Z-STU-443	9.00	10.08
		15-kW & 18-kW Single Phase All 3-Phase	4	Z-STU-573	10.00	11.20
13A	Foot Lower	All	2	Z-IM-E2-FL	11.50	12.88
13B	Foot Upper	All	2	Z-IM-E2-FU	5.00	5.60
14	M6 Dome / Cap Nut	All	4	Z-FIX-M6CAP	5.25	5.88
15	M4x25 Pozi Pan Screw	All	2	Z-FIX-M4x25	1.50	1.68
18	Element Bridge	up to 6-kW Single Phase	1	Z-IM-EL-BRI	5.00	5.60
		9-kW & 12-kW Single Phase	2			
		15-kW & 18-kW Single Phase All 3-Phase	3			
19	Enclosure Screws	All	7	Z-FIX-M4.8x19STS-SC	5.25	5.88
20	M4 Hex Nut	up to 6-kW Single Phase	2	Z-FIX-M4HEX	4	4.48
		9-kW & 12-kW Single Phase	4			
		15-kW & 18-kW Single Phase All 3-Phase	6			
21	M5 Hex Nut	up to 6-kW Single Phase	1	Z-FIX-M5HEX	5.25	5.88
		9-kW & 12-kW Single Phase	2			
		15-kW & 18-kW Single Phase All 3-Phase	3			
22	M6 Hex Nut	All	4	Z-FIX-M6HEX	5.25	0.00
23	RCD Terminal Block With Resistor	All	1	Z-MIS-TB-RCD	6.25	7.00
24	M4x12 Pozi Pan Screw	All	9	Z-FIX-M4x25	1.50	1.68
25	M4 Locking Washer	up to 6-kW Single Phase	2	Z-FIX-M4LW	1.50	1.68
		9-kW & 12-kW Single Phase	4			
		15-kW & 18-kW Single Phase All 3-Phase	6			
26	Terminal Block	All Single Phase	3	Z-MIS-TB-130A	17.25	19.32
		All 3-Phase	5			
		All Versatile	6			
27	M5 Locking Washer	All	2	Z-FIX-M5LW	5.25	5.88
28	M6 Flat Washer	All	2	Z-FIX-M6FW	5.25	5.88
29	Earth Terminal	All	2	Z-CON-YR53	7.25	8.12
31	Auto Button Stat	All	1	Z-MIS-BS-60-40-NO	9.25	10.36
32	Foot Screws	All	4	Z-FIX-M4.8x19STS-SC	5.25	5.88
38	Element Ferrule (2pcs per Kit/Element)	up to 6-kW Single Phase	2	Z-IM-EL-FER	7.50	8.40
		9-kW & 12-kW Single Phase	4			
		15-kW & 18-kW Single Phase All 3-Phase	6			
37	PG-21 Cable Entry Gland (Inc Back Nut)	All	1	Z-CON-PG21BK + Z-CON-PG21NUT	17.25	19.32
39	PG-7 Cable Entry Gland (Inc Back Nut)	All	1	Z-CON-PG7BK	7.00	7.84
40	End Fitting Gasket	All	2	SP-117-GSK	3.50	3.92
41	Element Stepped Washer (2pcs per Kit)	up to 6-kW Single Phase	2	Z-IM-EL-SW	2.00	2.24
		9-kW & 12-kW Single Phase	4			
		15-kW & 18-kW Single Phase All 3-Phase	6			
42	Heating Element	All	1, 2, 3	See Table 3	-	-
43	Element Support (1pc per kit)	up to 6-kW Single Phase	2	Z-IM-EL-SUP	5.00	5.60
		9-kW & 12-kW Single Phase	4			
		15-kW & 18-kW Single Phase All 3-Phase	6			
44	Flow Switch	up to 3-kW	1	SP-107-A	38.75	43.40
		4-kW to 6-kW	1	SP-107-B	38.75	43.40
		9-kW & greater	1	SP-107-C	38.75	43.40
45	M4x6mm Screw	All	2	Z-FIX-M4X6CS	1.50	1.68
45	Neon Indicator Lamp	All	1	Z-MIS-NEON	5.00	5.60
1.5" BSP Hose Tail for 1.5/1.25" Flexible Pipe		All	2	SP-118	10.50	11.76
1.5" BSP Universal Union for 1.5"/50-mm Pipe		All	2	SP-119	16.00	17.92
O-Rings (2 pcs in bag)		All	1	SP-120-ORS	2.00	2.24
44mm x 6mm Union O-Ring EPDM Shore 70		All	2	Z-ORS-UNI-S	3.75	4.20

Evo 2 Digital



Water connections:



Item No.:	Description:	Power Output:	Pcs/Unit:	Part Code:	GBP RRP (£)	EUR RRP (€)
1	Flow tube	All	1	See Table 2	-	-
2	Electrical Enclosure Base	All	1	Z-IM-E2-BC	20.00	22.40
3	Digital Front Cover	All	1	Z-IM-E2-DIG-TC	27.50	30.80
4	Electrical Access Cover	All	1	Z-IM-E2-AC	7.50	8.40
5	Test Button	All	1	Z-MIS-PBS	9.50	10.64
6	Window	All	1	Z-IM-E2-W	8.50	9.52
7	Control Thermostat Dial	All	1	Z-IM-OC-ANA	7.50	8.40
8	Contactor	up to 18-kW 3-Phase 400V up to 9-kW 3-Phase 230V	1	Z-SIE-2023-40A	67.75	75.88
		24-kW 3-Phase 400V 12, 15 & 18-kW 3-Phase 230V	1	Z-SIE-2027-50A	134.00	150.08
9	PCB Digital Thermostat Board	All	1	Z-PCB-BUD	150.75	168.84
10	Left End Fitting (NON F/S)	All	1	Z-IM-E2-EF-L	24.50	27.44
11	Right End Fitting (F/S)	All	1	Z-IM-E2-EF-R	24.50	27.44
12	M6 Tie Bar	up to 12-kW Single Phase 230V	4	Z-STU-443	9.00	10.08
		15-kW & 18-kW Single Phase All 3-Phase	4	Z-STU-573	10.00	11.20
13A	Foot Lower	All	2	Z-IM-E2-FL	11.50	12.88
13B	Foot Upper	All	2	Z-IM-E2-FU	5.00	5.60
14	M6 Dome / Cap Nut	All	4	Z-FIX-M6CAP	5.25	5.88
15	M4x25 Pozi Pan Screw	All	2	Z-FIX-M4x25	1.50	1.68
18	Element Bridge	up to 6-kW Single Phase	1	Z-IM-EL-BRI	5.00	5.60
		9-kW & 12-kW Single Phase	2			
		15-kW & 18-kW Single Phase All 3-Phase	3			
19	Enclosure Screws	All	7	Z-FIX-M4.8x19STS-SC	5.25	5.88
20	M4 Hex Nut	up to 6-kW Single Phase	2	Z-FIX-M4HEX	4.00	4.48
		9-kW & 12-kW Single Phase	4			
		15-kW & 18-kW Single Phase All 3-Phase	6			
21	M5 Hex Nut	up to 6-kW Single Phase	1	Z-FIX-M5HEX	5.25	5.88
		9-kW & 12-kW Single Phase	2			
		15-kW & 18-kW Single Phase All 3-Phase	3			
22	M6 Hex Nut	All	4	Z-FIX-M6HEX	5.25	5.88
23	RCD Terminal Block With Resistor	All	1	Z-MIS-TB-RCD	6.25	7.00
24	M4x12 Pozi Pan Screw	All	9	Z-FIX-M4x25	1.50	1.68
25	M4 Locking Washer	up to 6-kW Single Phase	2	Z-FIX-M4LW	1.50	1.68
		9-kW & 12-kW Single Phase	4			
		15-kW & 18-kW Single Phase All 3-Phase	6			
26	Terminal Block	All Single Phase	3	Z-MIS-TB-130A	17.25	19.32
		All 3-Phase	5			
		All Versatile	6			
27	M5 Locking Washer	All	2	Z-FIX-M5LW	5.25	5.88
28	M6 Flat Washer	All	2	Z-FIX-M6FW	5.25	5.88
29	Earth Terminal	All	2	Z-CON-YR53	7.25	8.12
31	Auto Button Stat	All	1	Z-MIS-BS-60-40-NO	9.25	10.36
32	Foot Screws	All	4	Z-FIX-M4.8x19STS-SC	5.25	5.88
37	PG-21 Cable Entry Gland (Inc Back Nut)	All	1	Z-CON-PG21BK + Z-CON-PG21NUT	17.25	19.32
38	Element Ferrule (2pcs per Kit/Element)	up to 6-kW Single Phase	2	Z-IM-EL-FER	7.50	8.40
		9-kW & 12-kW Single Phase	4			
		15-kW & 18-kW Single Phase All 3-Phase	6			
39	PG-7 Cable Entry Gland (Inc Back Nut)	All	1	Z-CON-PG97K	7.00	7.84
40	End Fitting Gasket	All	2	SP-117-GSK	3.50	3.92
41	Element Stepped Washer (2pcs per Kit)	up to 6-kW Single Phase	2	Z-IM-EL-SW	2.00	2.24
		9-kW & 12-kW Single Phase	4			
		15-kW & 18-kW Single Phase	6			
42	Heating Element	All	1, 2, 3	See Table 3	-	-
43	Element Support (1pc per kit)	up to 6-kW Single Phase	2	Z-IM-EL-SUP	5.00	5.60
		9-kW & 12-kW Single Phase	4			
		15-kW & 18-kW Single Phase All 3-Phase	6			
44	Flow Switch	up to 3-kW	1	SP-107-A	38.75	43.40
		4-kW to 6-kW	1	SP-107-B	38.75	43.40
		9-kW & greater	1	SP-107-C	38.75	43.40
1.5" BSP Hose Tail for 1.5"/1.25" Flexible Pipe		All	2	SP-118	10.50	11.76
1.5" BSP Universal Union for 1.5"/50-mm Pipe		All	2	SP-119	16.00	17.92
O-Rings (2 pcs in bag)		All	1	SP-120-ORS	2.00	2.24
44mm x 6mm Union O-Ring EPDM Shore 70		All	2	Z-ORS-UNI-S	3.75	4.20

Table 1. Replacement tank assemblies

Single Phase Power Output:	Titanium Flow tube with Titanium Heating Element Part Code:	GBP RRP (£)	EUR RRP (€)	Description:
2-kW	SP-TA-2-Ti	277.25	310.52	2-kW 370-mm Replacement Tank Assembly
3-kW	SP-TA-3-Ti	286.5	320.88	3-kW 370-mm Replacement Tank Assembly
4.5-kW	SP-TA-4.5-Ti	296.00	331.52	4.5-kW 370-mm Replacement Tank Assembly
6-kW	SP-TA-6-Ti-1P	305.25	341.88	6-kW 370-mm Replacement Tank Assembly
9-kW	SP-TA-9-Ti-1P	331.75	371.56	9-kW 370-mm Replacement Tank Assembly
12-kW	SP-TA-12-Ti-1P	341.00	381.92	12-kW 370-mm Replacement Tank Assembly
15-kW	SP-TA-15-Ti	407.75	456.68	15-kW 500-mm Replacement Tank Assembly
18-kW	SP-TA-18-Ti	412.25	461.72	18-kW 500-mm Replacement Tank Assembly
3-Phase Power Output:	Titanium Flow tube with Titanium Heating Element Part Code:	GBP RRP (£)	EUR RRP (€)	Description:
6-kW	SP-TA-6-Ti-3P	393.75	441.00	6-kW 500-mm Replacement Tank Assembly
9-kW	SP-TA-9-Ti-3P	398.25	446.04	9-kW 500-mm Replacement Tank Assembly
12-kW	SP-TA-12-Ti-3P	403.00	451.36	12-kW 500-mm Replacement Tank Assembly
15-kW	SP-TA-15-Ti	407.75	456.68	15-kW 500-mm Replacement Tank Assembly
18-kW	SP-TA-18-Ti	412.25	461.72	18-kW 500-mm Replacement Tank Assembly
24-kW	SP-TA-24-Ti-3P	483.50	541.52	24-kW 500-mm Replacement Tank Assembly

Table 2 . Replacement flow tubes

Description:	Power Output:	Pcs/Unit:	Titanium Part Code:	GBP RRP (£)	EUR RRP (€)
Flow tube	up to 6-kW Single Phase	1	X-TUB-TI370-1E	112.75	126.28
	9-kW & 12-kW Single Phase		X-TUB-TI370-2E	112.75	126.28
	15, 18-kW Single Phase All 3-Phase		X-TUB-TI500-3E	150.25	168.28

Table 3. Replacement heating elements

Single Phase Power Output:	Titanium Heating Element Part Code:	GBP RRP (£)	EUR RRP (€)	Pcs/Unit:	Description:
2-kW	SP-EL-Ti2KW7T	112.25	125.72	1	2-kW Replacement Heating Element Kit
3-kW	SP-EL-Ti2.8KW7T	119.00	133.28	1	2.8-kW Replacement Heating Element Kit
4.5-kW	SP-EL-Ti4.5KW7T	124.75	139.72	1	4.5-kW Replacement Heating Element Kit
6-kW	SP-EL-Ti6KW7T	134.25	150.36	1	6-kW Replacement Heating Element Kit
9-kW	SP-EL-Ti4.5KW7T	124.75	139.72	2	4.5-kW Replacement Heating Element Kit
12-kW	SP-EL-Ti6KW7T	134.25	150.36	2	6-kW Replacement Heating Element Kit
15-kW	SP-EL-Ti5KW7T	129.50	145.04	3	5-kW Replacement Heating Element Kit
18-kW	SP-EL-Ti6KW7T	134.25	150.36	3	6-kW Replacement Heating Element Kit
3-Phase Power Output:	Titanium Heating Element Part Code:	GBP RRP (£)	EUR RRP (€)	Pcs/Unit:	Description:
6-kW	SP-EL-Ti2KW7T	112.25	125.72	3	2-kW Replacement Heating Element Kit
9-kW	SP-EL-Ti2.8KW7T	119.00	133.28	3	2.8-kW Replacement Heating Element Kit
12-kW	SP-EL-Ti4KW7T	122.45	137.144	3	4-kW Replacement Heating Element Kit
15-kW	SP-EL-Ti5KW7T	129.50	145.04	3	5-kW Replacement Heating Element Kit
18-kW	SP-EL-Ti6KW7T	134.25	150.36	3	6-kW Replacement Heating Element Kit
24-kW	SP-EL-Ti8KW7T	144.50	161.84	3	8-kW Replacement Heating Element Kit

Improving pools *globally*

11 Gunnels Wood Park, Gunnels Wood Road,
Stevenage, Hertfordshire, SG1 2BH, UK

Tel: +44 1438 749 474

Email: sales@elecro.co.uk

Web: www.elecro.co.uk

We reserve the right to change all or part of the features of the articles
or contents of this document, without prior notice.

SPL16-EN-Evo2 Spare Parts List V1-01.01.2020-Elecro